

**Notice**

This manual provides general information, preparation for use, installation and operating instructions for the Black Lion Audio PG-2 Power Conditioner.

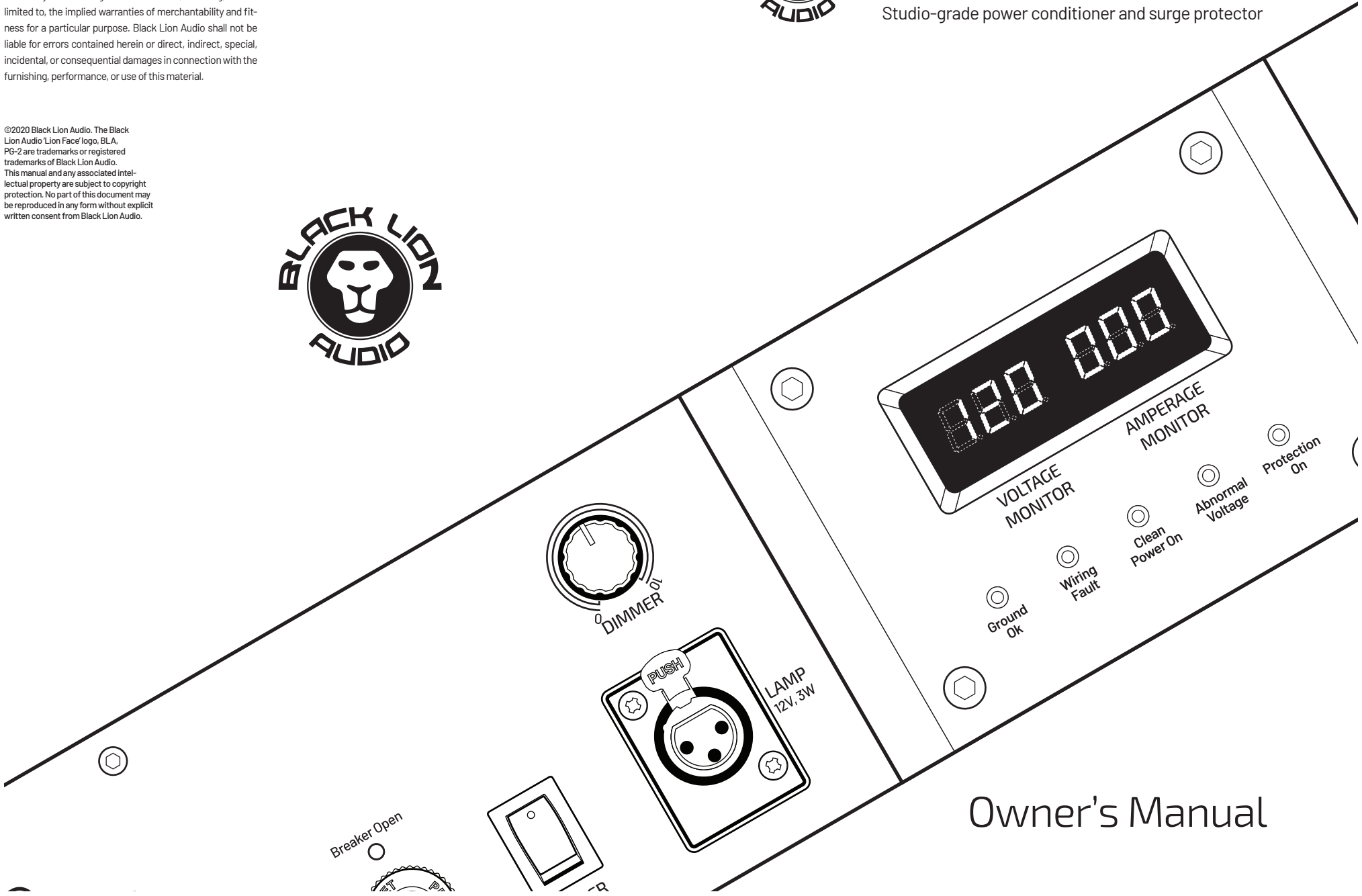
The information contained in this manual is subject to change without notice. Black Lion Audio makes no warranties of any kind with regard to this manual, including, but not limited to, the implied warranties of merchantability and fitness for a particular purpose. Black Lion Audio shall not be liable for errors contained herein or direct, indirect, special, incidental, or consequential damages in connection with the furnishing, performance, or use of this material.

©2020 Black Lion Audio. The Black Lion Audio Lion Face logo, BLA, PG-2 are trademarks or registered trademarks of Black Lion Audio. This manual and any associated intellectual property are subject to copyright protection. No part of this document may be reproduced in any form without explicit written consent from Black Lion Audio.



# PG-2

Studio-grade power conditioner and surge protector



## Owner's Manual

## IMPORTANT SAFETY INSTRUCTIONS

1. Read these instructions.
2. Keep these instructions
3. Heed all warnings.
4. Follow all instructions.
5. Do not use this apparatus near water.
6. Clean only with dry cloth.
7. Install in accordance with the manufacturer's instructions.
8. Do not install near any heat sources such as radiators, heat registers, stoves, or other apparatus that produce heat.
9. Do not defeat the safety purpose of the polarized or grounding-type plug. A polarized plug has two blades with one wider than the other. A grounding-type plug has two blades and a third grounding prong. The wide blade or third prong is provided for your safety. If the provided plug does not fit into your outlet, consult an electrician for replacement of the obsolete outlet.
10. Protect the power cord from being walked on or pinched particularly at plugs, convenience receptacles, and the point where they exit from the apparatus. If the power cord becomes frayed, stop using immediately.
11. Use only attachments/accessories specified by the manufacturer
12. Use only with a cart, stand, tripod, bracket or table specified by the manufacturer, or sold with the apparatus. When a cart is used, use caution when moving the cart/apparatus combination to avoid injury from tip-over.
13. Unplug this apparatus during lightning storms or when unused for long periods of time.
14. Refer all servicing to qualified service personnel. Servicing is required when the apparatus has been damaged in any way, such as power supply cord or plug is damaged, liquid has been spilled or objects have fallen into the apparatus, the apparatus has been exposed to rain or moisture, does not operate normally, or has been dropped.
15. This apparatus shall not be exposed to dripping or splashing, and no object filled with liquids, such as vases, shall be placed on the apparatus.
16. Note that this apparatus is not completely disconnected from the AC mains service when the power switch is in the OFF position.
17. The mains plug or power inlet on the product is used as the disconnect device, so the disconnected device shall remain readily operable when reconnected.
18. Any changes or modifications not expressly approved in this manual could void your authority to operate this apparatus.

### IMPORTANT!

Be sure to use a three prong AC cable that properly fits the power source. Please use the correct fuse designated on the rear panel before plugging in the power cord. Improper selection can result in damage to the unit that will not be covered under the warranty.



The lightning flash with an arrow-head symbol within an equilateral triangle is intended to alert the user to the presence of uninsulated "dangerous voltage" within the product's enclosure that may be of sufficient magnitude to constitute a risk of electric shock

to persons. **The PG-2 is only compatible with a 15-amp circuit and is not to be used with a 20-amp circuit.**

The exclamation point within an equilateral triangle is intended to alert the user to the presence of important operating and maintenance (servicing) instructions in the literature accompanying the product.



IEC  
62368

The Black Lion Audio PG-2 complies with all applicable IEC62368 / RoHS / WEEE European Union directives.

Do not attempt to service this unit yourself, as it will void your warranty. Please check your unit carefully upon receipt and return to place of purchase immediately if there are any problems with the product. After that, the standard Black Lion Audio 3 YEAR warranty will apply to defects in materials and workmanship.

Should your Black Lion Audio product require service, please contact us on our customer service site: <https://www.blacklionaudio.com/contact>. **You must obtain an RA # (Return Authorization number) from us before shipping a unit back to us. This RA # must be clearly written on the outside of the box.**

Please safely pack the units...It is best to use the original packing materials. Black Lion Audio cannot be responsible for any damages incurred in shipping to us due to poor packaging. PLEASE PACK CAREFULLY and FULLY INSURE THE SHIPMENT.

### INTERNATIONAL

For service or warranty assistance, please contact the Black Lion Audio distributor in your country through the dealer from whom you purchased this product.

### LIMITED 3 YEAR WARRANTY

Black Lion Audio's PG-2 is warranted by Black Lion Audio to be free from defects in materials and workmanship for the period of THREE (3) YEARS to the original purchaser. In the event of such defects, the product will be repaired without charge or, at our option, replaced with a new one if delivered to Black Lion Audio prepaid, together with a copy of the sales slip or other proof of purchase date. The warranty excludes problems due to normal wear, abuse, shipping damage or failure to use the product in accordance with the specifications.

All parts and labor are covered under this Limited Warranty. However, if it is determined by Black Lion Audio that the device was damaged or made defective through abuse, we reserve the right to charge the customer for the cost of the repair.

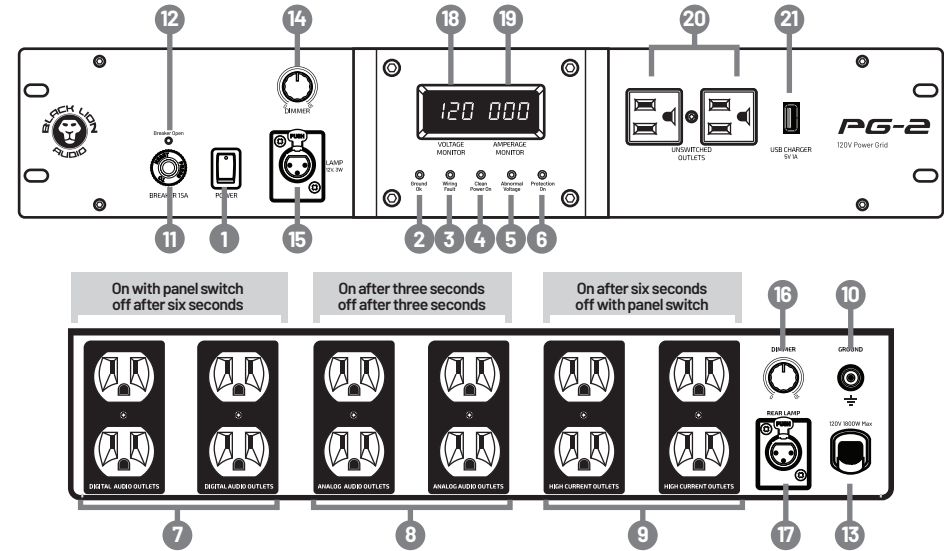
Black Lion Audio shall not be liable for damages based upon inconvenience, loss of use of the product, loss of time, interrupted operation or commercial loss or any other damages, whether incidental, consequential or otherwise. This warranty gives you specific legal rights, and you may have other rights, which will vary from state to state.

This warranty is not transferable.

## QUICK START GUIDE

Once you have installed your PG-2 where you need it, plug it in to an appropriate power source. If you are not sure your source is correct, consult with your local power company.

Plug in your equipment to the correct outlets on the PG-2.



1. **ON/OFF Switch:** Once the PG-2 is plugged into a grounded 230VAC outlet, turning the front panel POWER switch to the ON position will sequentially power the components plugged into the rear panel outlets.
2. **GROUND OK:** When this is on, the PG-2 is plugged into a properly grounded power source. If the LED is not on, unplug the unit from the power source and correct the fault.
3. **Wiring Fault:** This indicates the LINE and NEUTRAL wires in the source are reversed. Unplug the unit immediately and consult an electrician to fix the fault.
4. **Clean Power On:** This LED indicates that the PG-2 is providing clean, beautiful AC power to all connected components.
5. **Abnormal Voltage:** When this LED is ON, the PG-2 is warning about under/over voltage (greater than 132 VAC or less than 108 VAC).
6. **Protection ON:** When this LED is on, the PG-2's power surge circuitry is functioning correctly. If this LED is OFF, the circuit has malfunctioned. If it is OFF, unplug the unit immediately.
7. **Digital Audio (Switched) Outlets:** These outlets have a special filter circuit that is designed to reduce AC supply interference to your digital components (workstation, digital effects, etc.). They also isolate the rest of your system from noise generated by the digital components themselves.
8. **Analog Audio Filter (Switched) Outlets:** These outlets have a special filter circuit that reduces audible noise in your analog components (mixers, dynamic effects, etc.)
9. **High Current Filter (Timed) Outlets:** These outlets have a special filter circuit designed to handle high current components like power amplifiers or Active Speakers.
10. **Gold-plated ground post:** Provides a connection point for any ungrounded components.
11. **Thermal Circuit Breaker:** protects the PG-2 from power overload.
12. **Breaker Open:** When this LED is on, the thermal circuit breaker has tripped due to an overload. Before resetting the breaker, find the

reason for the overload.

Turn on the power. The digital and analog outlets are switched with a delay sequence. The digital and analog outputs turn on with the power switch and turn off after a six second delay. The high current outputs turn on after six seconds and turn off with the power switch. This allows any startup sequences to be finished before the high current devices are turned on.

13. **Ultra-high Current AC Power Cable:** integral high power, heavy duty AC cable to maximize power transfer to high current components such as amplifiers.
  14. **Front Dimmer:** This knob controls a flexible accessory light. Push on/off and turn clockwise for brightness.
  15. **Front 12V XLR Lamp Socket:** Provides 12VDC on PIN-2 to an accessory lamp.
  16. **Rear Dimmer:** This knob controls a flexible accessory light. Push on/off and turn clockwise for brightness.
  17. **Rear 12V XLR Lamp Socket:** Provides 12VDC on PIN-2 to an accessory lamp.
  18. **Voltage Meter:** Three-character LED displays the line voltage at the source.
  19. **Amperage Meter:** Three-character LED displays the amperage used by equipment plugged into the PG-2.
  20. **Unswitched Convenience Outlets:** These are 'always on' filtered power outlets.
  21. **USB Charger:** 5V/1A convenience charger for USB devices.
- Note:** For best performance we recommend plugging analog components into the analog outlets and digital to digital. It will not harm any components if they are plugged into any other outlet.

## SPECIFICATIONS

<b>Voltage</b>	120VAC 15A max
<b>AC Mains Input</b>	Edison 15A Plug
<b>Dimensions</b>	Width 438mm (19") Height 88mm (2U) Depth 250mm
<b>Weight</b>	6.8+kg