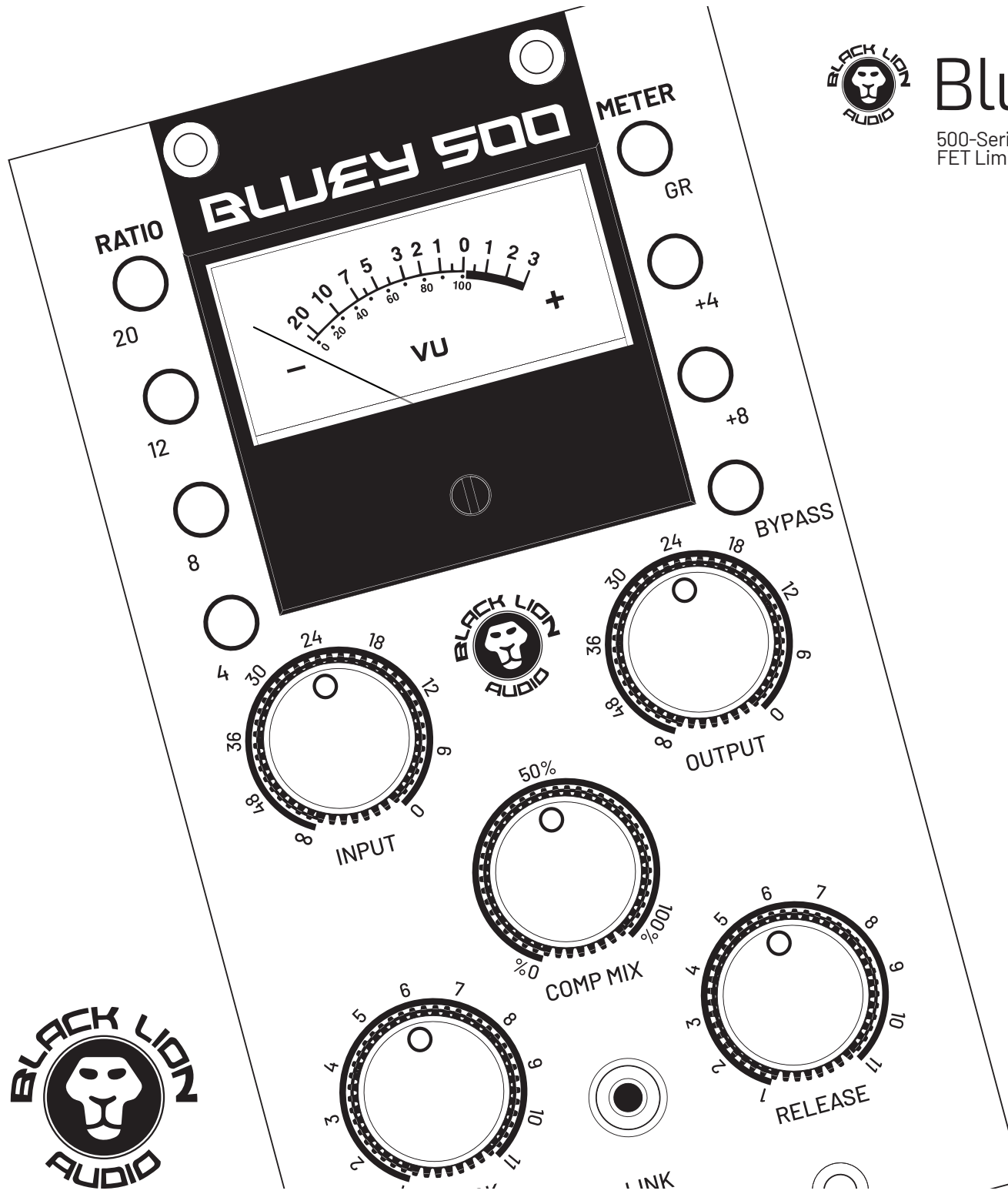


Notice

This manual provides general information, preparation for use, installation and operating instructions for the Black Lion Audio Bluey.

The information contained in this manual is subject to change without notice. Black Lion Audio makes no warranties of any kind with regard to this manual, including, but not limited to, the implied warranties of merchantability and fitness for a particular purpose. Black Lion Audio shall not be liable for errors contained herein or direct, indirect, special, incidental, or consequential damages in connection with the furnishing, performance, or use of this material.

©2023 Black Lion Audio. The Black Lion Audio 'Lion Face' logo, BLA, are trademarks or registered trademarks of Black Lion Audio. This manual and any associated intellectual property are subject to copyright protection. No part of this document may be reproduced in any form without explicit written consent from Black Lion Audio.



Bluey 500

500-Series Modified "Blue Stripe"
FET Limiter / Compressor



Owner's Manual

IMPORTANT SAFETY INSTRUCTIONS

1. Read these instructions.
2. Keep these instructions
3. Heed all warnings.
4. Follow all instructions.
5. Do not use this apparatus near water.
6. Clean only with dry cloth.
7. Install in accordance with the manufacturer's instructions.
8. Do not install near any heat sources such as radiators, heat registers, stoves, or other apparatus that produce heat.
9. Use only attachments/accessories specified by the manufacturer
10. Use only with a cart, stand, tripod, bracket or table specified by the manufacturer, or sold with the apparatus. When a cart is used, use caution when moving the cart/apparatus combination to avoid injury from tip-over.
11. Unplug this apparatus during lightning storms or when unused for long periods of time.
12. Refer all servicing to qualified service personnel. Servicing is required when the apparatus has been damaged in any way, such as power supply cord or plug is damaged, liquid has been spilled or objects have fallen into the apparatus, the apparatus has been exposed to rain or moisture, does not operate normally, or has been dropped.
13. This apparatus shall not be exposed to dripping or splashing, and no object filled with liquids, such as vases, shall be placed on the apparatus.
14. Any changes or modifications not expressly approved in this manual could void your authority to operate this apparatus.

COMPLIANCE



The Black Lion Audio Bluey 500 complies with all applicable CE / RoHS / WEEE European Union directives.

Do not attempt to service this unit yourself, as it will void your warranty. Please check your unit carefully upon receipt and return to place of purchase immediately if there are any problems with the product. After that, the standard Black Lion Audio 3 YEAR warranty will apply to defects in materials and workmanship.

U.S.A.

Should your Black Lion Audio product require service, please contact us on our customer service site: <https://www.blacklionaudio.com/contact>. You must obtain an RA # (Return Authorization number) from us before shipping a unit back to us. This RA # must be clearly written on the outside of the box.

Please safely pack the units...It is best to use the original packing materials. Black Lion Audio cannot be responsible for any damages incurred in shipping to us due to poor packaging. PLEASE PACK CAREFULLY and FULLY INSURE THE SHIPMENT.

INTERNATIONAL

For service or warranty assistance, please contact the Black Lion Audio distributor in your country through the dealer from whom you purchased this product.

LIMITED 3 YEAR WARRANTY

Black Lion Audio's Bluey 500 is warranted by Black Lion Audio to be free

from defects in materials and workmanship for the period of THREE (3) YEARS to the original purchaser. In the event of such defects, the product will be repaired without charge or, at our option, replaced with a new one if delivered to Black Lion Audio prepaid, together with a copy of the sales slip or other proof of purchase date. The warranty excludes problems due to normal wear, abuse, shipping damage or failure to use the product in accordance with the specifications.

All parts and labor are covered under this Limited Warranty. However, if it is determined by Black Lion Audio that the device was damaged or made defective through abuse, we reserve the right to charge the customer for the cost of the repair.

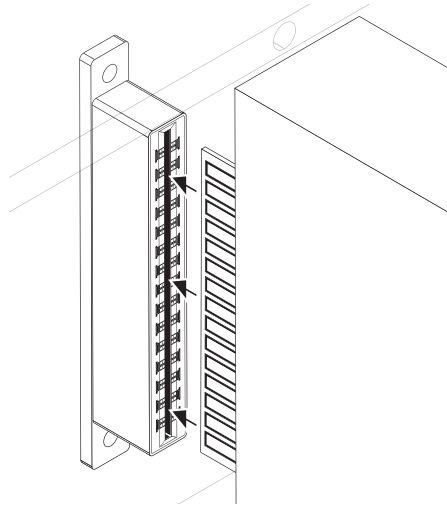
Black Lion Audio shall not be liable for damages based upon inconvenience, loss of use of the product, loss of time, interrupted operation or commercial loss or any other damages, whether incidental, consequential or otherwise. This warranty gives you specific legal rights, and you may have other rights, which will vary from state to state.

This warranty is not transferable.

QUICK START GUIDE

INSTALLATION

1. Mute your studio monitors.
2. Power OFF the chassis.
3. Inspect Bluey 500 and make sure nothing is surrounding the card edge connector.
4. Carefully slide Bluey 500 into an empty slot in your power chassis.
5. Make sure the module connectors sits well into the mating Edac chassis connector.
6. Secure the Bluey 500 to the chassis using the four front-mounted screws.
7. Power ON the power chassis.



INITIAL SETUP:

Using **balanced** XLR cables, connect the Bluey 500's inputs and outputs from your 500-series chassis to your mixing bus or patch bay. If you are using two Bluey 500s in parallel (or stereo), connect the two units using an RCA cable between the front-mounted RCA jacks. Set all controls to full counter-clockwise position, and all pushbuttons deselected or in the off position. Set the Bypass button to the on position, and apply power.

Unmute the monitors, and verify that signal is passing to and from the unit. Set the INPUT, OUTPUT, ATTACK and RELEASE controls to about 12 o'clock, set COMP MIX to full clockwise, select RATIO 4, and press the Bypass button. Increase the INPUT until the meter is deflecting a few dB. Again, verify signal is passing through the unit. Done!

A note on the Attack control:

The Attack control on the Bluey 500 works a little differently than you may have encountered on other 76-style compressors. Turning the Attack knob to the left (counter-clockwise) will yield faster attack times; slower times result when turning to the right (clockwise). We've found this control scheme to be more intuitive; akin to a volume knob decreasing level to the left and increasing to the right.

- **Attack:** Continuously variable 20uS to 800uS
- **Release:** Continuously variable 1200mS to 50mS

A note on Bluey 500's buffering:

Bluey 500 features additional input and output buffering circuitry not found on most other compressors; as such you may find the input to run a little hotter than you might initially expect. This extra gain is useful for directly inserting Bluey in a console insert point. Additionally, it serves to model the manner in which the original Bluey was used as a console insert while also ensuring stable level balance when adjusting the Comp Mix control.

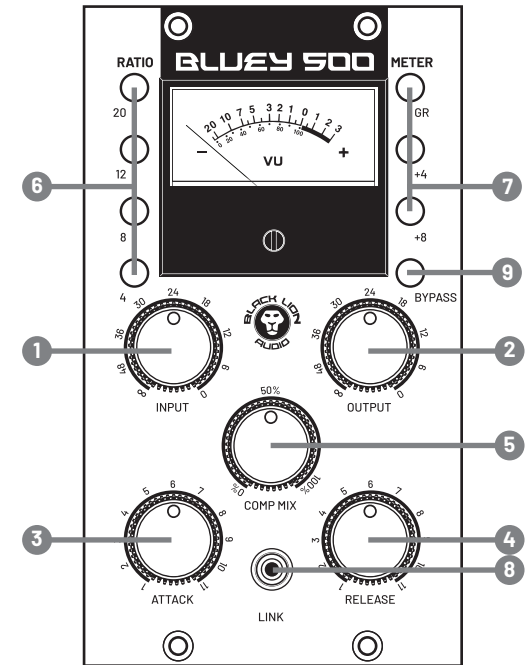
A note on stereo linking

Bluey 500 uses the RCA input jack in the front of the module for stereo pairing. Connect two Bluey 500s via an RCA cable to achieve a successful pairing. The Bluey 500 does not utilize the internal link bus within some 500-series frames; the linking feature is completely independent.

When running a pair of Bluey 500s via a stereo link, start by setting both units to matched settings, as the detector circuits are the linked elements - not the controls. Note that due to design limitations of the 76-style compressors, no two units will ever be 100% matched without an external battery-powered balancing box. If you don't have a balancing box, you may need to make slight alterations to the Input and Output controls to create perfect stereo matching.

SPECIFICATIONS

Attack	Continuously variable 800uS to 20uS
Release	Continuously variable 1200mS to 50mS
Ratio	Pushbutton selected 4:1, 8:1, 12:1, 20:1 and any combination
Voltage	±16v
Dimensions	Width: 76 mm (3") Height: 178 mm (5.25") Depth: 229 mm (9")
Weight	1.47 kg (3.25 lbs)



CONTROLS

1. **Input:** Sets the threshold and controls the level at which the compressor starts compressing
2. **Output:** Applies makeup gain to compressed signal to compensate for signal lost during compression
3. **Attack:** Controls the amount of time it takes for the unit to react to an incoming signal
4. **Release:** Controls the speed at which the compressor releases the compressed signal
5. **Comp Mix:** Allows the user to blend the dry uncompressed signal with the wet compressed signal to allow more natural sounding compression
6. **Ratio:** Controls the amount of compression applied (Yes, it does all-buttons-in-mode)
7. **Meter Mode:** Selector switches GR meters the amount of gain reduction applied (+4 meters output level at 0 with +4dB output; +8 meters output level at 0 with +8dB output)
8. **RCA Stereo Link:** Use standard 2-conductor RCA cable for stereo linking.
9. **Bypass:** Bypasses the compression circuit.

Note: For proper performance, balanced XLR must be used for all inputs and outputs.